

Spin-On Filters

Ethanol Filter



Phase separation detection, water sensing, and particulate removing
Filters: Particulate (dirt), water, and phase separation.

Ethanol Filter



Phase separation detection "Alert" and particulate removing.
Filters: Particulate (dirt) and phase separation.

Diesel Filter



Water sensing and particulate removing.
Filters: Particulate (dirt) and water.

Gasoline, Diesel, and Biodiesel Filter



Particulate removing.
Filters: Particulate (dirt)

Filter Elements

E Series P



PetroClear models PCP-E10 and PCP-E30 are particulate removing replacement element type filters designed to remove particulate (dirt) from Neat Gasoline, Ethanol Blended Gasoline, Diesel, Biodiesel, ULSD (Ultra Low Sulfur Diesel), Kerosene, Fuel Oils, Lube Oils and Synthetic Fluids. These filters are designed for particulate removal only and will NOT react to water in Neat Gasoline or detect Phase Separation in Ethanol Blended Gasoline.

E Series W



The PCW-E10 and PCW-E30 are designed to remove particulate and to sense both free and emulsified water from Neat Gasoline, Diesel, Biodiesel, ULSD (Ultra Low Sulfur Diesel), Kerosene and Fuel Oils. They will NOT detect phase separation in ethanol blended gasoline.

618 Series EP



PetroClear models 61805EP, 61810EP and 61830EP are particulate replacement element type filters designed to remove particulate from Neat Gasoline, Diesel, Biodiesel, ULSD (Ultra Low Sulfur Diesel), Kerosene and Fuel Oils. These filters are designed for particulate removal only and will NOT react to water in Neat Gasoline or detect Phase Separation in Ethanol Blended Gasoline.

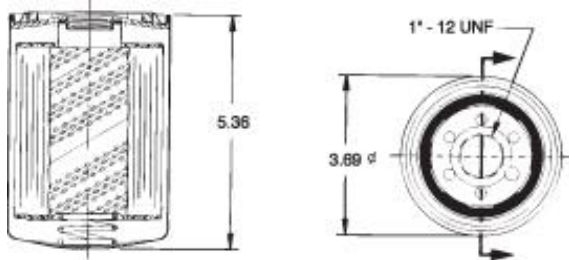
618 Series EW



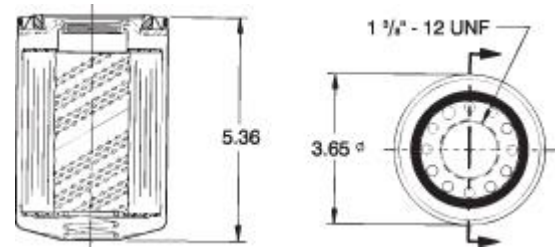
The 61805EW, 61810EW and 61830EW are designed to remove particulate and to sense both free and emulsified water from Neat Gasoline, Diesel, Biodiesel, ULSD (Ultra Low Sulfur Diesel), Kerosene and Fuel Oils. They will NOT detect phase separation in ethanol blended gasoline.

Filter Dimensions

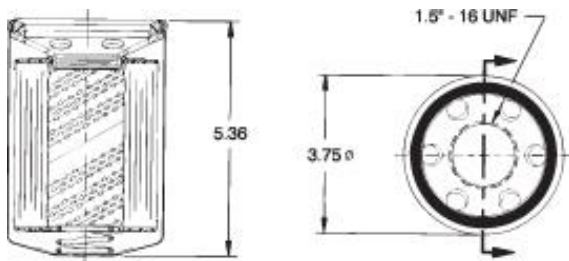
405 Series



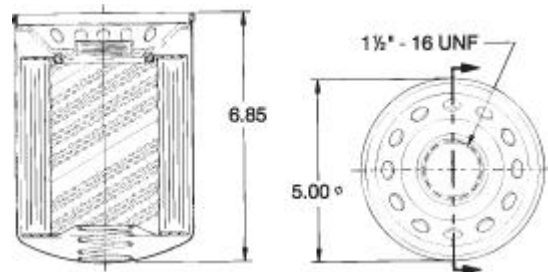
405WA/PA Series



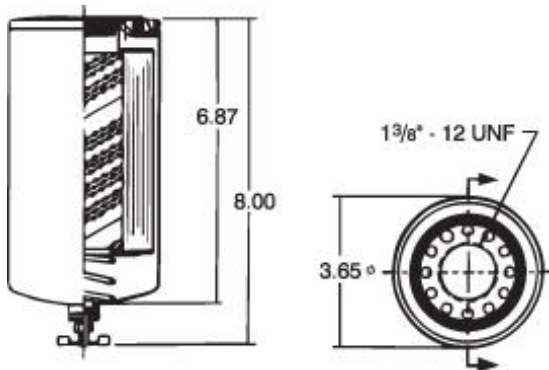
405W-AD/P-AD Series



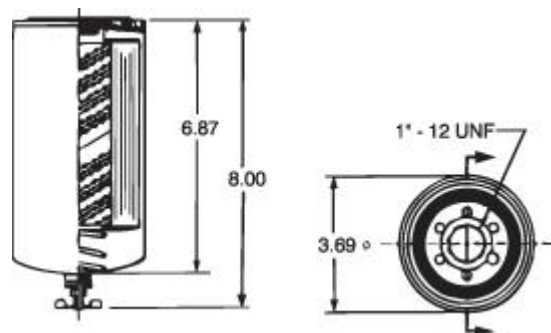
507 Series



408PA-DV

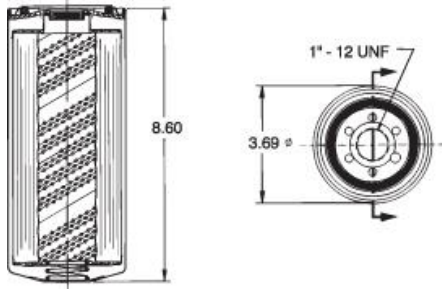


408DV Series

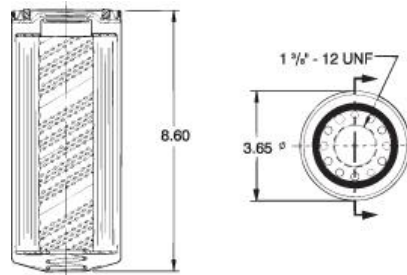


Filter Dimensions

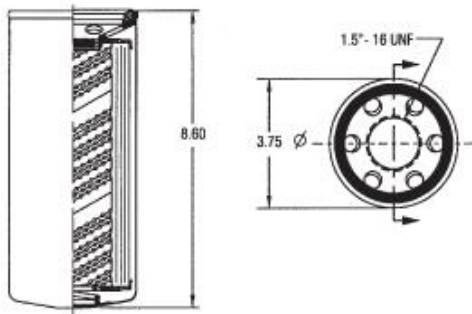
409 Series



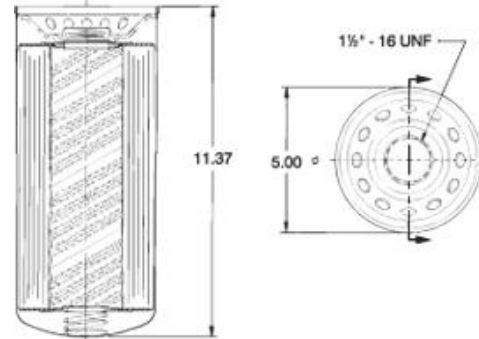
409PA/WA Series



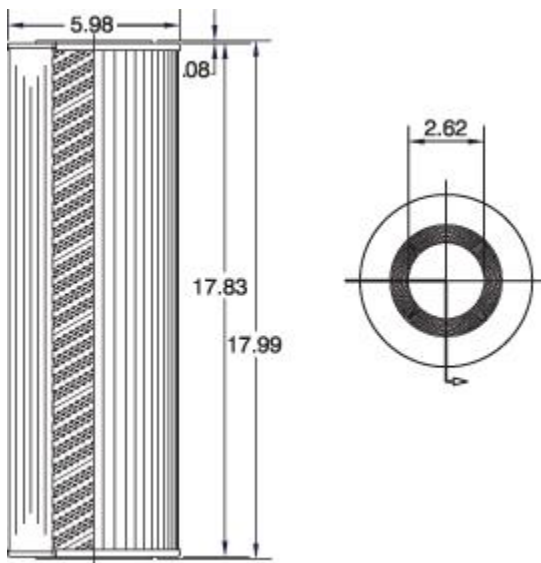
409 P-AD/W-AD Series



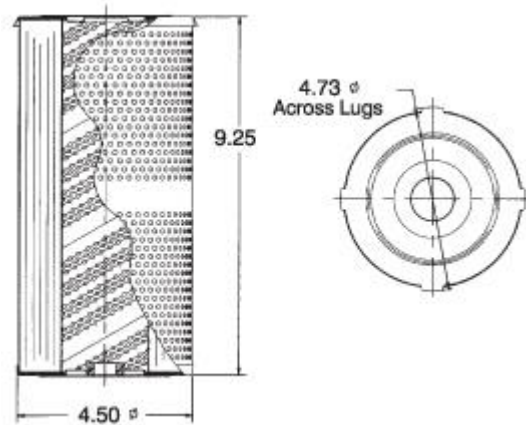
511 Series



618 Series



PCP/PCW Series



Strainers

285 Bottom Clean Out Strainer



Y-type strainer used in pipelines to filter debris from flowing into and damaging equipment such as a pump or a meter. Strainer basket is removable for cleaning and/or replacement. Basket access is from the bottom.

286 Top Clean Out Strainer



Y-type strainer used in pipelines to filter debris from flowing into and damaging equipment such as a pump or a meter. Strainer basket is removable for cleaning and/or replacement. Basket access is from the top. Fig. 286U is UL listed.

STDS-T Bulb Strainer



All aluminum construction. Available in 1 1/2"-2". Available in 20, 40, 60, 80, and 100 mesh stainless steel screens.

Strainers

Pump P Filter Replacement Parts



Threads into bottom of female NPT thread to protect equipment from large contaminants. Standard hole size is 1/4". Also Available in 1/2" hole size. Custom sizes are available by quote, minimum purchase required. Available in 1 1/2" -4". Available in Aluminum and Stainless steel.

Banjo Polypropylene 1 1/2" -2" "Y" Strainers



- Precision molded construction
- Corrosion resistant
- Lightweight
- Polypropylene Fiberglass reinforced
- Easy grip end cap
- Poly Ribbed 304SS screen
- EPDM gaskets, FKM available
- Heavy duty end cap threads
- 1/2"-1 1/4" 75 PSI Maximum
- 1 1/2" -2" 150PSI Maximum
- Clean-out plug
- Female NPT x Female NPT
- Available in 20, 40, 60, 80, and 100 mesh stainless steel screens

Model 72 Basket



The Eaton Model 72 is perfect for applications in which the line can be temporarily shut down for strainer basket cleaning or changeout. A reason for its popularity is the unusually large basket capacity. The free straining area with a perforated basket is a minimum of six times the cross sectional pipe area. The basket seats are precision machined to give a tight seal and prevent any material from bypassing the basket.

Sight Flow Strainers

SG300 Sight Glass



Sight Glass is made from a Tough Polycarbonate Material and has a Temperature Rating of (-50 to +185°F). It has a 500 PSI rating and allows for viewing of materials at all times. Available in 2", 3", and 4".

Warning: Never use a wrench on the Sight Glass - always tighten the connecting pieces.

Funnel Strainer (304 Stainless Steel)



This Funnel Strainer is made of 304 Stainless Steel and offers a unique one-piece design which includes a pre-attached Buna Gasket for better sealing and ease of assembly. It is designed to be used with Female Quick-Acting Couplings. Available in 2", 3", and 4".



The pictures to the left show a popular installation set up for the Sight Glass and Funnel Strainer. The picture on the far left shows the Funnel Strainer assembled with an aluminum type "D" coupling. The picture on the right shows the complete assembly with the sight glass and aluminum type "A" coupling.